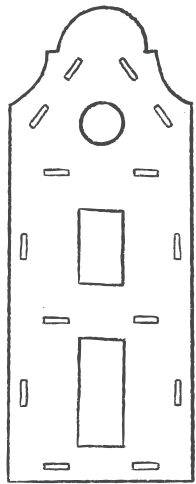
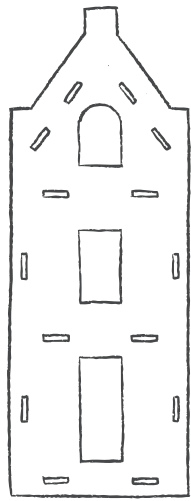


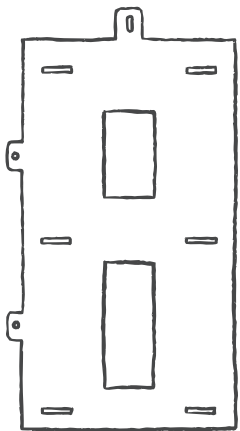
PIECES



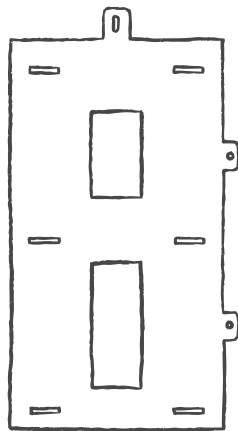
CLOCK GABLE



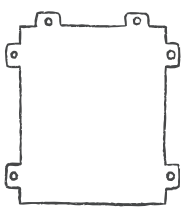
STEPPED GABLE



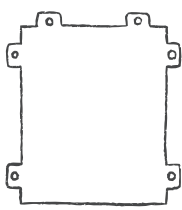
SIDE WALL 1



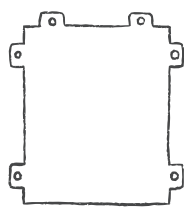
SIDE WALL 2



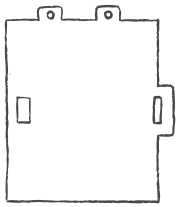
FLOOR 1



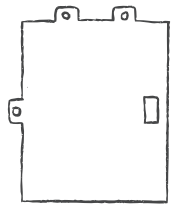
FLOOR 2



FLOOR 3



ROOF 1

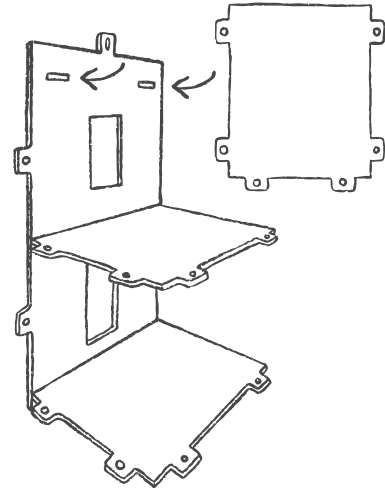


ROOF 2



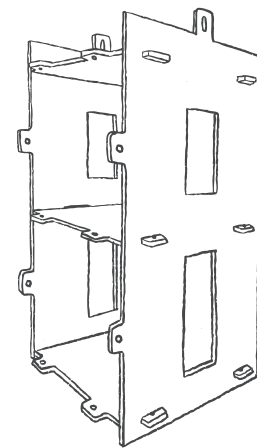
PEGS

ASSEMBLY INSTRUCTIONS



STEP 1

Stand side wall 1 upright with side tabs facing towards you and top tab facing up. Insert floors into slots with tabs facing you.

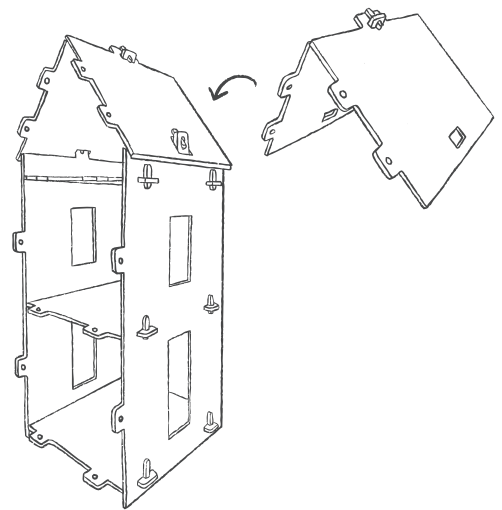


STEP 2

Attach side wall 2 by inserting floor tabs into side wall slots. Make sure tabs are facing you. Secure all tabs with pegs.

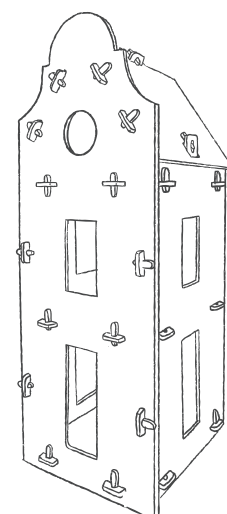


PEG DETAIL



STEP 3

Combine roof 1 and roof 2 by inserting tab into slot and secure with peg. Attach roof to side walls by inserting into roof slots and securing with pegs.



STEP 4

Attach facade to front by inserting tabs into slots and securing with pegs.

MAQUETTE KIDS

Dollhouses designed to give children a place to create and build a world of their own. Visit us @maquettekids for inspiring ways to furnish your dollhouse.



CHOKING HAZARD - SMALL PARTS. NOT FOR CHILDREN UNDER 3 YRS.